

FEA BASED AXIAL FLUX PERMANENT MAGNET LINEAR OSCILLATING MOTOR

Govindaraj Thangavel¹, Debashis Chatterjee², Ashoke K. Ganguli³

¹ Professor, Department of Electrical and Electronics Engineering,
Muthayammal Engineering College,
Anna University, Chennai, India

²Reader, ³ Professor

Department of Electrical Engineering, Jadavpur University, Kolkatta, India

E-mail: govindarajthangavel@gmail.com, govindarajt@yahoo.com

Abstract- In this paper the development, finite element analysis (FEA) and electronic control of an axial flux permanent magnet linear oscillating motor (PMLOM) suitable for short strokes is described. The forces for aluminium mover embedded with rare earth permanent magnets are determined analytically through finite element method. A microcontroller based inverter is developed for the control of thrust and oscillation frequency. The PMLOM can perform precision oscillation task with relatively low power dissipation. The use of powerful permanent magnet material such as Neodymium-Iron-Boron alloys has greatly improved the performance of the machine. Simulation and suitable experiments are in good agreement to the theoretical calculations.

Keywords: Axial Flux Machine, Finite Element Analysis, Microcontroller, Permanent Magnet Linear Oscillating Motor.

1. INTRODUCTION

The present work relates generally to linear electric oscillating machines. Linear motors are finding increasing applications in different specific areas like high-speed transport, electric hammers, looms, reciprocating pumps, heart pumps etc. (G.Kang, *et al.*, 2001; N.Sadowski, *et al.*, 1996; B.Tomczuk and M.Sobol, 2003; D.G.Taylor and N.Chayopitak, 2006; Kou Baoquan, *et al.*, 2009). They are also well suited for manufacturing automation applications. In recent years, Design of energy efficient and high force to weight ratio motors and its performance assessment has become a research topic. The permanent magnet linear oscillating motors (PMLOMs) are one of the derivatives of the linear motors in the low power applications having the advantages of higher efficiency and high force to weight ratio. PMLOMs

can be feed with both dc and ac supply (G.Kang, *et al.*, 2001; N.Sadowski, *et al.*, 1996; B.Tomczuk and M.Sobol, 2003; Kou Baoquan, *et al.*, 2009; D.G.Holmes, *et al.*, 2009) of which, the dc motors are having better efficiency due to the absence of core losses. The motor designed in this paper finds the suitability of application in the loads having low frequency and short stroke length. One such application is the heart pump, where frequency of oscillation is to be adjusted between 0.5 to 1.5 Hz, with the requirement of variable thrust depending on the condition of the heart under treatment. For analysis of such motors the main task is to determine the essential equivalent circuit parameters, which are its resistances and inductances. The resistances, for the machine, though vary with operating conditions due to temperature, do not affect much on its performance assessment. However, the inductances

for these machines are mover position dependent and mostly affect the machine performance. Therefore, determination of these parameters is essentially required for analyzing the machine model. There are several works e.g. (S.Vaez-Zadeh and A.Isfahani, 2006; B.Tomczuk and M.Sobol, 2003) which assumes the machine inductance to be constant for simplicity of the model although different other works e.g. (G.Kang, *et al.*, 2001; N.Sadowski, *et al.*, 1996; D.G.Taylor and N.Chayopitak, 2006; Iakovos St. Manolas, *et al.*, 2009) dynamically estimate the inductance through FEM and field analysis for getting correct results. In (Kou Baoquan, *et al.*, 2009) a low power tubular linear motor is developed for space usage where an equivalent circuit model is developed for the machine to analyze its characteristics. In (Ge Baoming, *et al.*, 2009) the development of Linear Switched Reluctance Motor (SRM) is realized with higher primary poles which can result in complex switching topology for controlling the speed. Also in (Iakovos St. Manolas, *et al.*, 2009) FEM based analysis and estimation of parameters are shown for a SRM. Design, Development, Control and FEM analysis of PMLOM is discussed in (Govindaraj T, *et al.*, 2009a,b,c,d,e,2010a,b,c,d).

In this paper, the linear machine designed is having permanent magnet in the mover so that the force to weight ratio is improved. The machine under consideration is an axial flux machine and the mover is having a non-magnetic structure, which is aluminium. Also the rare earth permanent magnets used in the mover are having a relative permeability nearly equal to unity and therefore the magnetic circuit under consideration will be unsaturated due to major presence of air in the flux path. Hence, consideration of constant inductance is quite errorless for such kind of machines, which also conforms to the experimental data shown in this paper. Finally the machine is analyzed with the help of the field equations and solved for forces and resultant flux densities through FEMLAB6.0 and Mathworks7.0 and backed by suitable experimental results. The control circuit is simple which uses PIC16F877A microcontroller with switching between four coils and no closed loop position control is necessary for speed and thrust control. The proposed motor concept is validated through proper simulation and suitable experiments.

2. MACHINE CONSTRUCTION

The construction of the prototype PMLOM is shown in Fig.1. Also the dimensional details of the motor are shown in Fig.2. There are two concentric coils for each of the stators. They are connected in such polarities that the fluxes for both the coils aid each

other to form the poles in the iron parts. The formation of the N and the S poles of the electromagnet of the stator are shown in the Fig.2.

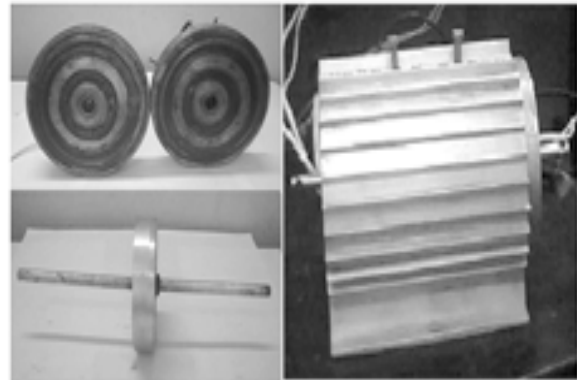


Fig.1. Construction details of the developed PMLOM (i) Stators to be mounted on both sides of the mover and (ii) the mover (iii) the PMLOM machine

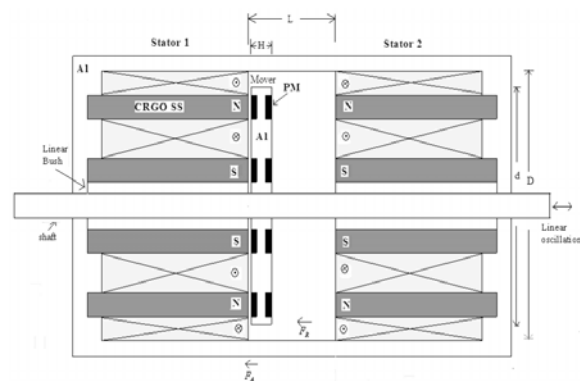


Fig.2. Al – Aluminium material; PM-N42 Permanent Magnet; Attraction Force F_A ; Repulsion Force F_R

Coil 1 – aa' and bb' Coil 2 – cc' and dd'

The mover consists of aluminium structure embedded with rare earth permanent magnets with the polarities as shown. The force developed will be attractive on one side and simultaneously repulsive on the other side. These two forces act in the same direction to enhance the total force on the mover, assisting the linear oscillation of the mover cyclically.

3. FORCE MODEL

3.1. Poisson's Equation

The classical description of static magnetic fields are provided by Maxwell's equations

$$\nabla \times H = J \quad (1)$$

$$\nabla \cdot B = 0 \quad (2)$$

Where H is magnetic field intensity, B is magnetic flux density and J is the current density in

the conductors producing magnetic field. The relationship between B and H can be written as,

$$B = \mu H \quad (3)$$

Where μ denotes material permeability.

Boundary conditions that must be satisfied at the interface between two materials having finite conductivities are,

$$\hat{n} \times (H_1 - H_2) = 0 \quad (4)$$

$$\hat{n} \cdot (B_1 - B_2) = 0 \quad (5)$$

where n is a unit vector normal to the boundary surface directed from region 2 to region 1. Since the divergence of the curl of any vector must always be zero, it follows from (2) that there exists a so-called magnetic vector potential A such that,

$$B = \nabla \times A \quad (6)$$

From (1) and (3),

$$\nabla \times B = \mu J \quad (7)$$

From (6) and (7),

$$\nabla \times (\nabla \times A) = \mu J$$

Or,

$$\nabla (\nabla \cdot A) - \nabla^2 A = \mu J \quad (8)$$

For a DC situation or for a very low frequency variation of J which is 0.5 to 5 Hz in the present case, the term $\nabla \cdot A = 0$. This situation when considered in equation (8) results in,

$$\nabla^2 A = -\mu J \quad (9)$$

Equation (9) is the *Poisson's equation*. from which the magnetic vector potential A can be numerically calculated knowing the current density J. Having known A at different points the flux density B can be found out from (6).

3.2. Lorentz Force

The force exerted by a PM-sourced static magnetic field with flux density B on conductors carrying current with density J is known as the so-called *Lorentz force* and is given by,

$$F = \int_v (J \times B) dv \quad (10)$$

Now, if current is Z-directed and motion is X-directed, (10) can be written as,

$$F = -\int_v J_z B_y dv \quad (11)$$

Thus, for N-turn coil with z-direction length L of carrying current I, (11) can be written as,

$$F = -NILB_{avg} \quad (12)$$

Where, B_{avg} is the average airgap flux density, which can be calculated from (6) considering machine geometry.

4. SIMULATION AND EXPERIMENTAL RESULTS

The proposed scheme is simulated under FEMLAB6.0 with Mathworks environment, which provides a finite element analysis. The machine specification used for both simulation and experiment is given in Table-1.

Table 1 PMLOM Design Parameters

Rated Input Voltage	70V
Rated input power	175 watts
Stroke length	10 mm
Outer Diameter (Stator)	85 mm
Stator core type	CRGO Silicon Steel
Thickness of lamination	0.27 mm
Stator length	60 mm
Number of turns in Coil aa',cc'	1000
Number of turns in Coil bb',dd'	500
Coil resistance	18 ohms
Slot depth	50 mm
Permanent Magnet Type	Rare Earth N42
Permanent Magnet Length	2 mm
Coercivity	925000 A/m
Remanence	1.3 T
Outer diameter (Mover)	65 mm
Shaft diameter	8 mm
Coil Inductance	0.18 Henry

Figure 3 shows the FEM mesh configuration for the PMLOM Prototype. Figure 4 shows the Magnetic flux plotting of PMLOM while mover is oscillating near stator 2 at 1 Hz, 0.75 A. Figure 5 shows the Magnetic flux plotting of PMLOM while mover is oscillating near stator 1 at 5 Hz, 3.5 Amps, and $F = 10$ N.

For the FEM modeling calculations, material linearity of the NdFeB permanent magnet ($\mu_r = 1.048$) was used. Its coercive force was assumed to be $H_c = 925$ KA/m and the

magnetization vector direction were adopted for the calculations. Very small air gaps compared with the main motor dimensions between permanent magnets and ferromagnetic rings were neglected due to very small magnetic permeability of the permanent magnets, which is acceptable.

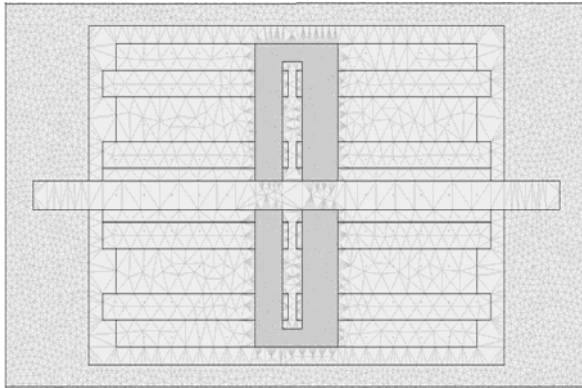


Fig.3. Finite element mesh of PMLOM while mover is oscillating at the centre, 5 Hz, 2.5A

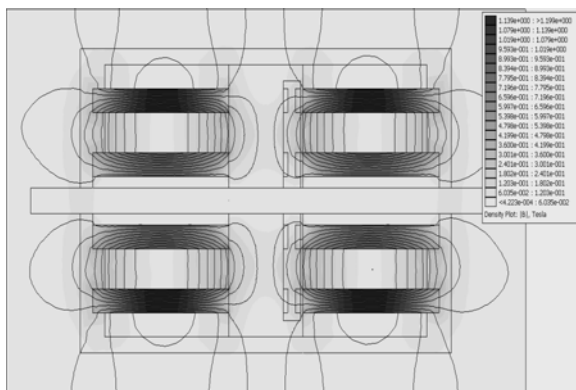


Fig.4. Magnetic flux plotting of PMLOM while mover is oscillating near stator 2 at 1 Hz, 0.75 A

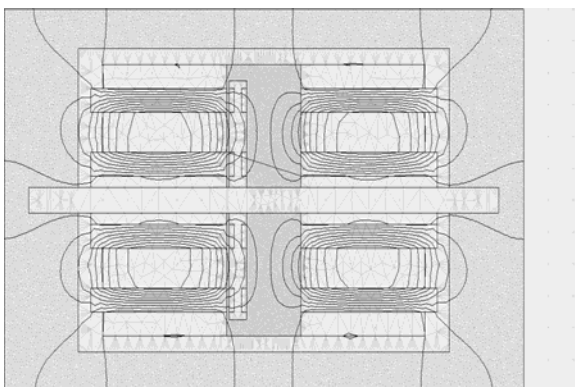


Fig.5. Magnetic flux plotting of PMLOM while mover is oscillating near stator 1 at 5 Hz, 3.5 Amps, and $F= 10\text{ N}$

In order to predict the integral parameters of the PMLOM, it is necessary to analyze the magnetic

field distribution in the stator and mover. Obviously, it is possible to optimize the construction by making changes in the stator and mover geometries. The improvements of the structure result from knowledge of the magnetic field distribution. The presented results have been obtained for one variant of the motor construction.

The control block diagram along with the experimental set-up power electronic control circuit is shown in Figure 6. For this machine as the thrust force is proportional to the current hence the thrust control can be provided with variation of coil current. As the magnetic circuit is unsaturated the coil current is proportional to the input voltage. Then the thrust control is provided with the help of phase controlled ac supply which can vary the input voltage. The frequency control is provided with the help of a low cost and commercially available microcontroller PIC16F877A. The microcontroller is programmed to vary the frequency with the input reference voltage by changing its output pulsewidth. These pulses are fed to the MOSFET through suitable drivers and isolators.

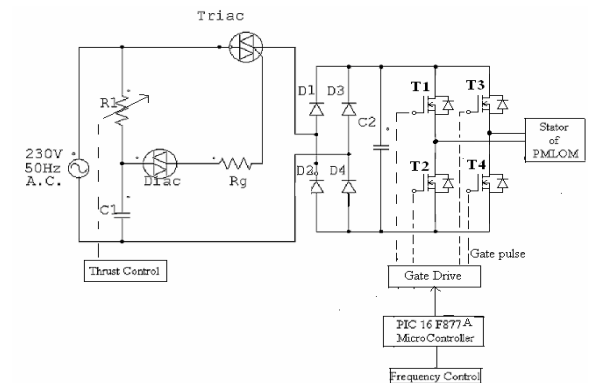


Fig.6. Power Circuit of PMLOM

The control is reliable and provides a scope for portability to any remote place. The loading arrangement is provided with a mass and a pulley arrangement with a constant inductance L the response of a coil is

$$i(t) = \frac{V}{R} (1 - e^{-Rt/L}) + I_0 e^{-Rt/L} \quad (13)$$

Where I_0 is the initial current, which is $-V/R$ in the present case. R is the total equivalent resistance and L is the total equivalent inductance of the coils looking from the source end. The equivalent circuit is shown in Figure 7.

Assuming $R_{eqv} = R_1 = R_2$ (14)

The total equivalent resistance,

$$R = \frac{R_{eqv}}{2} \quad (15)$$

Equivalent inductance

$$L = \frac{(L_1 + L_2) + (L_3 + L_4)}{2} \quad (16)$$

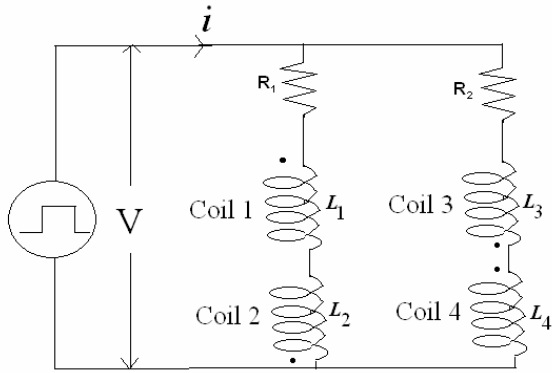


Fig.7. Inverter fed Voltage source

Figure 8 shows the plot of the input voltage and current of the machine at 5 Hz at full load. The current plot is seen to be exponentially rising and falling with the reversal of the input voltage. Also it becomes steady before the mover has reached its final end position. Thus the assumption of constant inductance for the machine is validated.

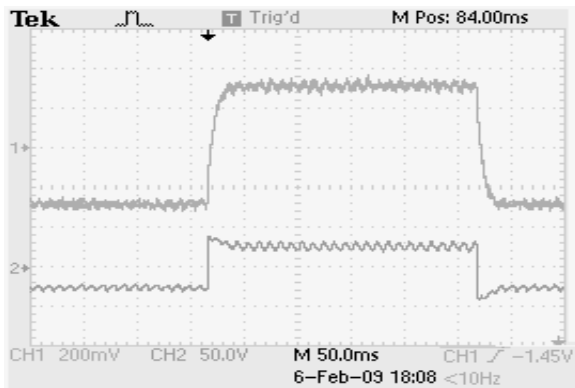


Fig.8. Current waveform of PMLOM taken from Tektronix make Storage Oscilloscope

Figure 9 shows the variation of measured thrust force versus Coil current characteristics at different frequencies. It is evident from this experiment that the motor thrust practically shows no change with increase of frequency at the same current.

Figure 10 shows the thrust versus mover position characteristics at different currents. At centre position as the mover is at an equidistance from both the stators, at centre the force will be minimum and as it

moves towards any one of the stator cores, attractive force increases and repulsion force decreases and the total force becomes maximum at the either end.

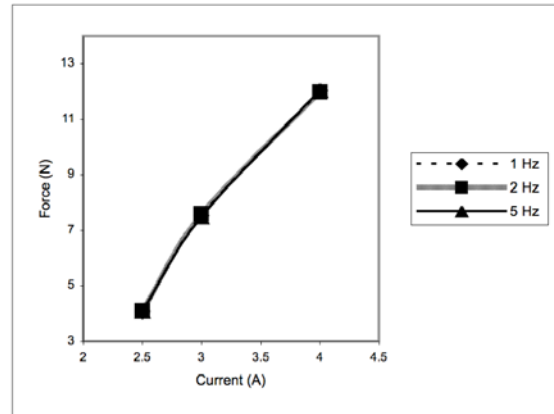


Fig.9. Measured Force versus Coil Current Characteristics

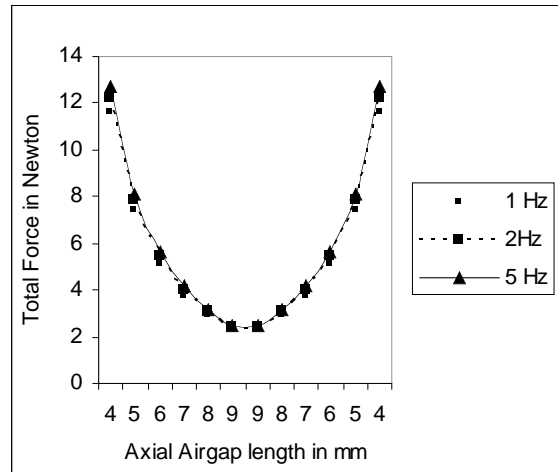


Fig.10. Total Force versus Axial Airgap Length characteristics

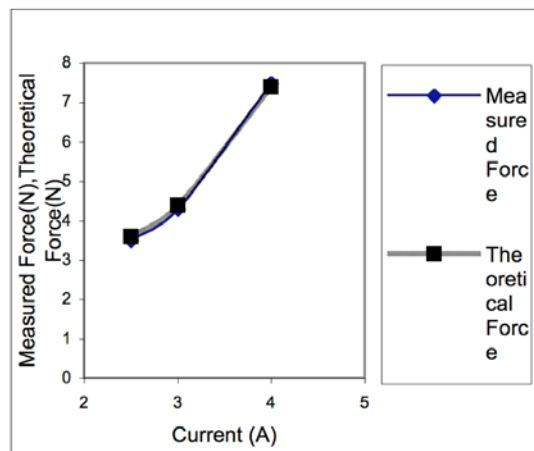


Fig.11. Comparison of measured Force versus Theoretical Force at 5 Hz

Figure 11 shows comparison of measured and theoretical forces at a supply frequency of 5 Hz.

5. CONCLUSIONS

The development of an axial flux PMLOM suitable for low frequency and short stroke application is presented. Analytical solution to the forces and determination method of the integral parameters of a PMLOM are shown. Finite element method with FEMLAB6.0 with Mathworks is used for the field analysis of the different values of the exciting current and for variable mover position. Computer simulations for the magnetic field distribution, forces are shown. To obtain experimentally the field distribution and its integral parameters, a physical model of the motor together with its electronic controller system has been developed and tested. The Prototype has been operated in the oscillatory mode with small loads at low frequency up to 5 Hz. The theoretically calculated results are compared with the measured ones and found to be in good conformity. This can be successfully applied for low frequency short stroke applications like heart pumps.

6. REFERENCES

- G. Kang, J. Hong, and G. Kim. (2001). Design and analysis of slotless-type permanent-magnet linear brushless motor by using equivalent magnetizing current. *IEEE Ind. Appl.* **37**, pp. 1241–1247.
- N. Sadowski, R. Carlson, A. M. Beckert, and J. P. A. Bastos. (1996). Dynamic modeling of a newly designed linear actuator using 3D edge elements analysis. *IEEE Trans. Magn.* **32**, pp. 1633–1636.
- S.Vaez-Zadeh and A. Isfahani.(2006). Multi-objective design optimization of air-core linear permanent-magnet synchronous motors for improved thrust and low magnet consumption, *J. IEEE Magn.* **42**, pp. 446–452.
- B. Tomczuk and M. Sobol. (2003). Influence of the supply voltage on the dynamics of the one-phase tubular motor with reversal motion. Proc. 39th Int. Symp. Electrical Machines—SME'2003. Gdansk/Jurata, Poland. pp. 417–426.
- D. G. Taylor and N. Chayopitak. (2006). Time-optimal position control of electric motors with steady-state temperature constraints. *Proc. IEEE Int. Symp. Industrial Electronics* Montreal, QC, Canada. pp. 3142–3146.
- Kou Baoquan, Li Liyi, and Zhang Chengming. (2009). Analysis and Optimization of Thrust Characteristics of Tubular Linear Electromagnetic Launcher for Space-Use. *IEEE Trans. Magn.* **45**: pp. 250- 255.
- Ge Baoming, Anibal T. de Almeida, and Fernando J. T. E.Ferreira. (2009). Design of Transverse Flux Linear Switched Reluctance Motor. *IEEE Trans. Magn.* **45**. pp. 113-119.
- Iakovos St. Manolas, Antonios G. Kladas, and Stefanos N. Manias (2009). Finite-Element-Based Estimator for High-Performance Switched Reluctance Machine Drives. *IEEE Trans. Magn.* **45**. pp. 1266-1269.
- Govindaraj T, Debashis Chatterjee, and Ashoke K. Ganguli (2009a). A Permanent Magnet Linear Oscillating Motor for Short Strokes, *Proc.Int. Conf. Electrical Energy Systems & Power Electronics in Emerging Economies-ICEESPEEE 09, SRM University, India, Apl.* 16-18, pp. 351- 355.
- Govindaraj T, Debashis Chatterjee, and Ashoke K. Ganguli (2009b). Development, Finite Element Analysis and Electronic Controlled Axial Flux Permanent Magnet Linear Oscillating Motor direct drive suitable for short Strokes. *Proc. Int. Conf. Control, Automation, Communication and Energy Conservation - INCACEC 2009, Kongu Engineering College, India Jun.4–6*, pp. 479–483.
- Govindaraj T, Debashis Chatterjee, and Ashoke K. Ganguli (2009c). FE Magnetic Field Analysis Simulation Models based Design, Development, Control and Testing of An Axial Flux Permanent Magnet Linear Oscillating Motor. in *Proc. Int. Conf. Electrical and Electronics Engineering, ICEEE2009, Int. Association of Engineers, World Congress on Engineering 2009 vol I*, London, United Kingdom, July 1-3.
- Govindaraj T, Debashis Chatterjee, and Ashoke K. Ganguli (2009d). Development, Analysis and Control of an Axial Flux Permanent Magnet Linear Oscillating Motor suitable for Short Strokes. in *Proc. 2009 IEEE Int.Sym. on Industrial Electronics, IEEE ISIE 2009*, Seoul Olympic Parktel, Seoul, Korea, July 5-8, pp. 29-34.
- Govindaraj T, Debashis Chatterjee, and Ashoke K. Ganguli (2009e). Development, Control and Testing of a New Axial Flux Permanent Magnet Linear Oscillating Motor using FE Magnetic Field Analysis Simulation Models. In: *Proc. 2009 Int. Conf. on Mechanical and Electronics Engineering, ICMEE2009, Int. Asso. of Computer Science and Information Technology, IACSIT*, Chennai, India, July 24-26, pp 191 – 195.
- Govindaraj T, Debashis Chatterjee, and Ashoke K. Ganguli (2010a). FEA Simulation Models based Development and Control of An Axial Flux PMLOM. In: *Journal of Modelling and Simulation of Systems, HyperSciences.Publisher, Vol.1, Iss.1*, pp. 74-80.
- Govindaraj T, Debashis Chatterjee, and Ashoke K. Ganguli (2010b). Finite Element Analysis of an Axial Flux Permanent Magnet Linear Oscillating Motor suitable for short stroke. In: *International Journal of Computer Science , Current Issue*.

- Govindaraj T, Debashis Chatterjee, and Ashoke K. Ganguli (2010c) Modelling and Simulation of Microcontroller based Permanent Magnet Linear Oscillating Motor. In: *Journal of Modelling and Simulation of Systems, HyperSciences.Publisher Vol.1, Iss.2*, pp. 112-117.
- Govindaraj T, Debashis Chatterjee, and Ashoke K. Ganguli (2010d). Design, Development and Finite Element Magnetic Analysis of an Axial Flux PMLM. In: *International Journal of Engineering and Technology, Vol.2 (2)*, pp. 169-175.
- D. G. Holmes, T. A. Lipo, B. P. McGrath, and W.Y. Kong (2009) Optimized Design of Stationary Frame Three phase AC Current Regulators. In: *IEEE Trans.Power Electronics*, vol. **24**, no. 11, pp 2417-2426.